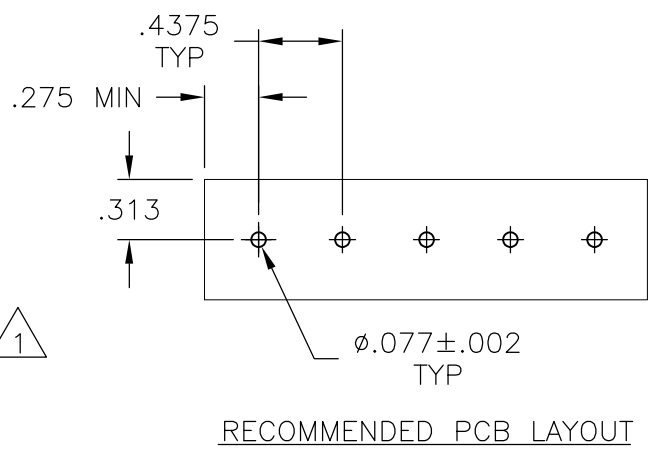
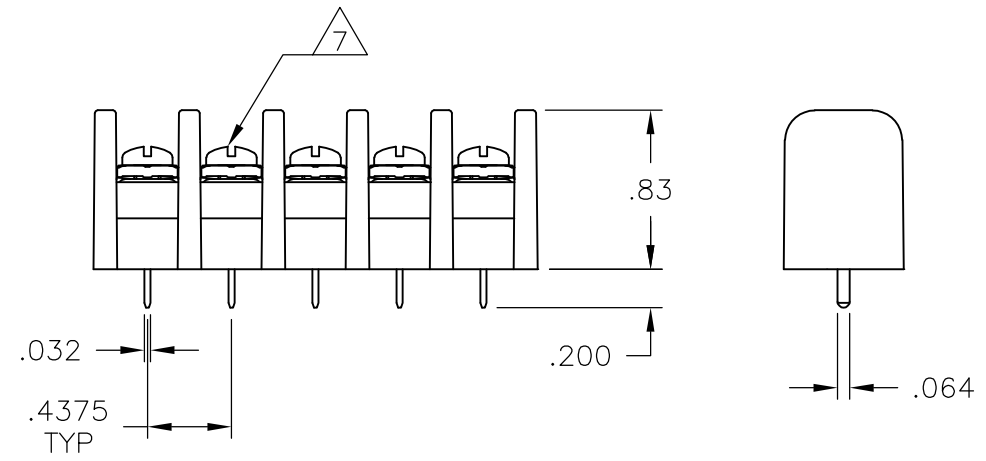
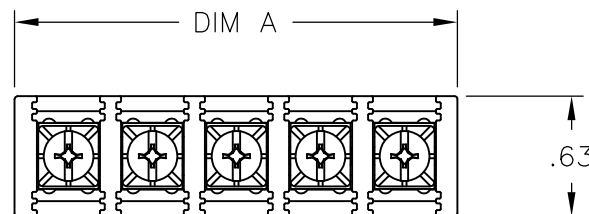


THIS DRAWING IS UNPUBLISHED. RELEASED FOR PUBLICATION  
 © COPYRIGHT - By - ALL RIGHTS RESERVED.

LOC	DIST	REVISIONS					
FT	0	P	LTR	DESCRIPTION	DATE	DWN	APVD
		R		REVISED PER ECO-11-023039	20FEB12	KH	MS



**MATERIAL:**  
 HOUSING: THERMOPLASTIC, UL94V-2, BLACK.  
 TERMINAL: BRASS, PLATED BRIGHT TIN OVER NICKEL.  
 SCREWS: 6-32, STEEL, ZINC AND CHROMATE PLATED <sup>1</sup>  
 OR  
 NICKEL OVER COPPER PLATED <sup>2</sup>

**ELECTRICAL:**  
 MAXIMUM CURRENT: 20A.  
 OPERATING VOLTAGE: 600V.  
 WIRE RANGE: 12 AWG MAX.  
**ENVIRONMENT:**  
 OPERATING TEMP.: -60°C TO +105°C.

- <sup>3</sup> WHITE INK MARKING, APPROX. AS SHOWN. (SEE PAGE 2)
- <sup>4</sup> PRELIMINARY PART NUMBER.
- <sup>5</sup> OBSOLETE PARTS: OBSOLETE CIS STREAMLINING PER D.RENAUD/D.SINISI
- <sup>6</sup> SPECIAL MARKING SEE DETAIL.
- <sup>7</sup> ALL SCREWS BOTTOMED, TORQUE 2 TO 4 IN-LBS

NO.	DATE	DESCRIPTION	DATE	DWN	APVD
<sup>1</sup> <sup>4</sup>	11.937	27			
<sup>1</sup>	11.500	26			
<sup>1</sup>	11.062	25			
<sup>1</sup> <sup>4</sup>	10.625	24			
<sup>1</sup> <sup>4</sup>	10.187	23			
<sup>1</sup> <sup>4</sup>	9.750	22			
<sup>1</sup> <sup>4</sup>	9.312	21			
<sup>1</sup>	8.875	20			
<sup>1</sup> <sup>4</sup>	8.437	19			
<sup>1</sup>	8.000	18			
<sup>1</sup> <sup>4</sup>	8.000	18			
<sup>1</sup>	7.562	17			
<sup>1</sup> <sup>4</sup>	7.125	16			
<sup>1</sup>	6.687	15			
<sup>1</sup>	6.250	14			
<sup>1</sup> <sup>4</sup>	5.812	13			
<sup>1</sup>	5.375	12			
<sup>1</sup>	4.937	11			
<sup>1</sup>	4.500	10			
<sup>4</sup>	4.062	9			
<sup>6</sup> <sup>4</sup>	4.062	9			
<sup>1</sup>	4.062	9			
<sup>1</sup>	3.625	8			
<sup>1</sup>	3.187	7			
<sup>1</sup>	2.750	6			
<sup>1</sup>	2.312	5			
<sup>1</sup>	1.875	4			
<sup>2</sup>	1.437	3			
<sup>1</sup> <sup>5</sup>	OBSOLETE	1.437	3		
<sup>1</sup>	1.437	3			
<sup>1</sup>	1.000	2			
DIM A	NO. OF POS.	CATALOG NUMBER	PART NUMBER		

THIS DRAWING IS A CONTROLLED DOCUMENT.		DWN S SCHL GEL 16FEB04	<b>STE</b> TE Connectivity	
DIMENSIONS: INCHES		CHK S YODER 2/16/04		
TOLERANCES UNLESS OTHERWISE SPECIFIED:		APVD S YODER 2/16/04	NAME	
0 PLC ± -		PRODUCT SPEC	SSB7 ASSEMBLY	
1 PLC ± -		APPLICATION SPEC	RESTRICTED TO	
2 PLC ± .02		WEIGHT -	SIZE A3	CAGE CODE 00779
3 PLC ± .010		CUSTOMER DRAWING	DRAWING NO C-3-796602-2	SCALE NTS
4 PLC ± -			SHEET 1 OF 2	REV R
ANGLES ± 1°				
FINISH -				

THIS DRAWING IS UNPUBLISHED.

RELEASED FOR PUBLICATION

-. - .

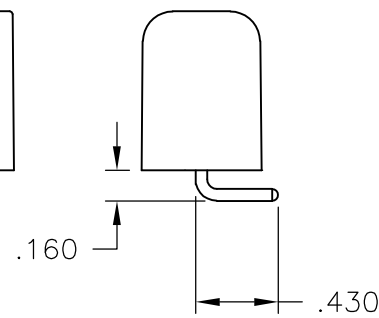
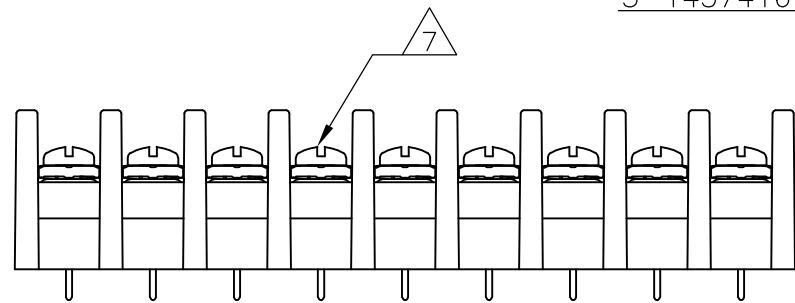
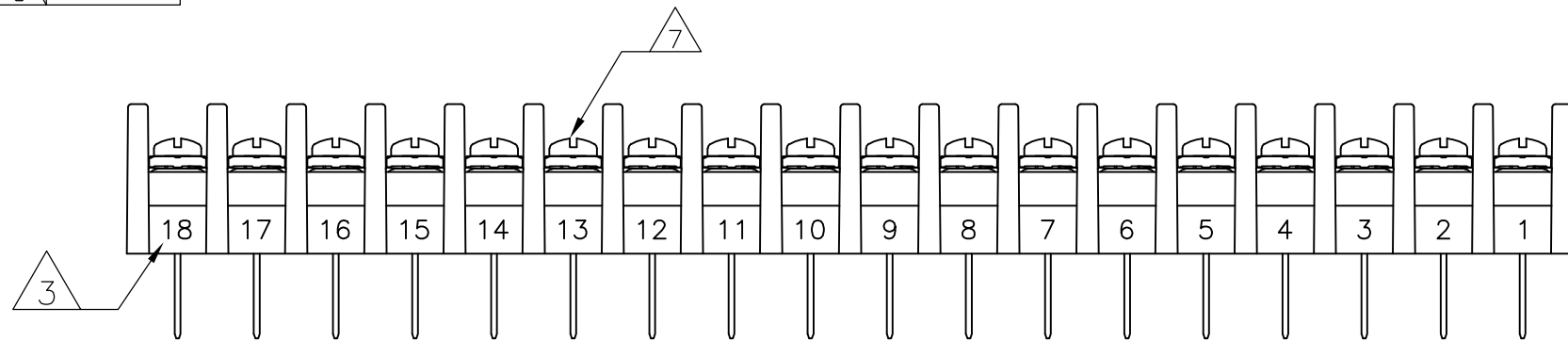
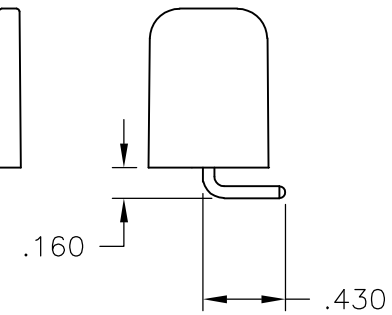
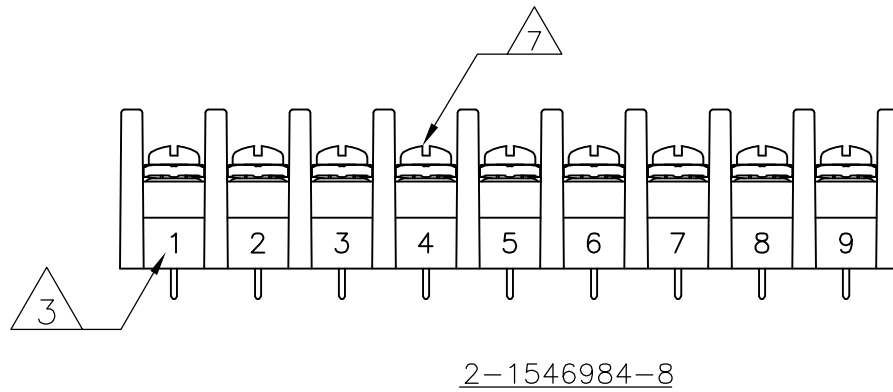
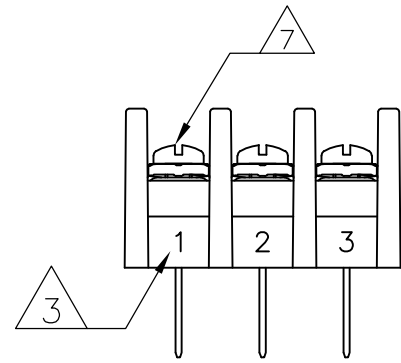
© COPYRIGHT - By -

ALL RIGHTS RESERVED.

LOC FT DIST 0

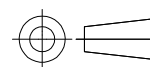
REVISIONS

P	LTR	DESCRIPTION	DATE	DWN	APVD
-	-	SEE SHEET 1	-	-	-



THIS DRAWING IS A CONTROLLED DOCUMENT.

DIMENSIONS:  
INCHES



TOLERANCES UNLESS OTHERWISE SPECIFIED:

- 0 PLC ± -
- 1 PLC ± -
- 2 PLC ± .02
- 3 PLC ± .010
- 4 PLC ± -
- ANGLES ± 1°

MATERIAL

FINISH

DWN S SCHL GEL 16FEB04

CHK S YODER 2/16/04

APVD S YODER 2/16/04

PRODUCT SPEC

APPLICATION SPEC

WEIGHT



NAME

SSB7 ASSEMBLY

SIZE

CAGE CODE

DRAWING NO

RESTRICTED TO

A3 00779

C-3-796602-2

CUSTOMER DRAWING

SCALE NTS

SHEET

2 OF 2

REV R